

## TDURCCB & TDURCBO

Din Modular Residual Current Protection

# OUR CUSTOMER CARE COMMITMENTS



## Quality is Guaranteed

All products supplied from this Catalogue carry a guarantee against defects in materials and workmanship for a period of 12 months from date of purchase as standard.

## Quality is Accredited

Terasaki has ISO 9001 accreditation for the manufacture, sale and distribution of all products featured in this Catalogue.

## Technical Support is Free

We offer free technical support and application software to all customers. This could range from selecting a product for an unusual application through to carrying out a protection study.

## Sales Order Line

Call our Sales Order Line where our friendly sales team are on hand to assist with your enquiries.



**+44 (0)141 941 1940**  
**sales@terasaki.co.uk**



**www.terasaki.com**



Terasaki is a world class specialist in innovative circuit protection, control and system products for electrical energy distribution. We supply low-voltage circuit breakers for industrial, marine and commercial building projects.



## DIN MODULAR RESIDUAL CURRENT PROTECTION

**FEATURES OF RESIDUAL CURRENT CIRCUIT BREAKERS TDURCCB** 4

**USE OF AC AND A TYPE RCCBs IN DIFFERENT FAULT CONDITIONS** 6

### ORDER CODES

Order Codes for TDURCCB - 2 Pole 7

Order Codes for TDURCCB - 4 Pole 8

Order Codes for TDURCBO - 2 Module 9

### TECHNICAL DATA/DIMENSIONS/DIAGRAMS

Technical Data - TDURCCB - 2 Pole 10

Dimensions - TDURCCB - 2 Pole 11

Circuit Diagram - TDURCCB - 2 Pole 11

Technical Data - TDURCCB - 4 Pole 12

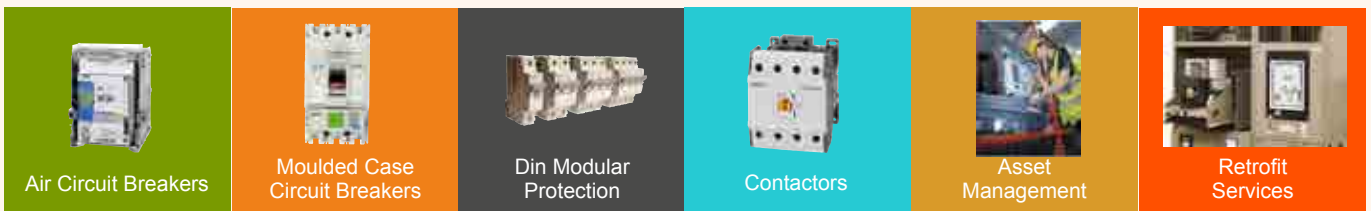
Dimensions - TDURCCB - 4 Pole 13

Circuit Diagram - TDURCCB - 4 Pole 13

Technical Data - Auxiliary Switch 14

Technical Data - TDURCBO - 2 Module 15

### Other Terasaki Products:



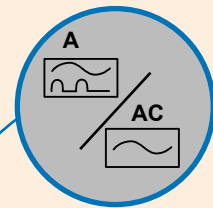


i

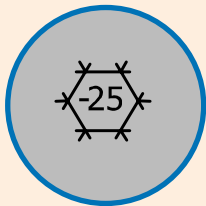
## Features of residual circuit breakers TDURCCB



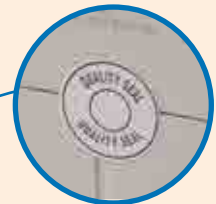
→ RCCB terminals accept cable or busbar connection



→ AC - pure sine residual current,  
→ A - AC + pulsating direct current



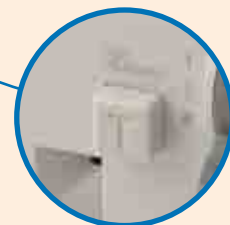
→ Low temperature limit



→ Quality seal for tested reliability



→ Real contact position indication for easy contact status identification



→ Test button enables user to check residual functionality



## *i* Introduction



Residual current circuit breakers can be used in TN-S, TN-C-S, TT and IT network systems for fault protection.


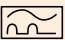
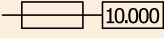
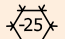
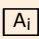
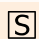
Residual current protective devices with a rated residual current of  $I_{\Delta n} \leq 30\text{mA}$  fulfill the conditions for fault protection. For protection against fire, according to IEC 60364-4-482, all cables and conductors in TN and TT systems must be protected by means of residual current protective devices with rated residual current of  $I_{\Delta n} \leq 300\text{mA}$ .

### Types:

- **AC Type:** they are sensitive to alternating (sinusoidal) AC residual currents.
- **A Type:** they are sensitive to alternating (sinusoidal) AC residual currents and pulsating DC residual currents.

### Classification regarding breaking time:

- **Instantaneous:** max. break time 40ms.
- **Ai: Short Time Delay:** time delayed min. 10ms and max 40ms
- **S: Selective:** Time delayed min. 40ms and max. 150ms.

TDURCCB		Type AC	Type A		
		Inst.	Inst.	Ai	S
	For alternating residual current	✓	✓	✓	✓
	For alternating and pulsating direct residual current		✓	✓	✓
	Short-circuit capacity with back-up fuse	✓	✓	✓	✓
	Lower temperature limit of application - 25°C	✓	✓	✓	✓
	Short time delayed (10 - 40 ms)			✓	
	Selective time delayed (40 - 150 ms)				✓



## i Use of AC and A Type RCCB's in different fault conditions

Connection	Normal mains current	Fault earth current	AC	A
1 Single phase 			✓	✓
2 Phase control 			✓	✓
3 Burst control 			✓	✓
4 Single phase rectifier 				✓
5 Two-pulse bridge 				✓
6 Two-pulse bridge, half controlled 				✓
7 Two-pulse bridge between phases 				✓



# TDURCCB & TDURCBO Din Modular Residual Current Protection

## 1 Order Codes for TDURCCB - 2 Pole

Rated residual current  
0.03 -0.3A

Rated current  
25-100A

Type  
A, AC, Ai, S



25~63A



100A

Description	Code	
TDURCCB for 50 and 60 Hz 2P 25A 30mA type AC	4547560	107788
TDURCCB for 50 and 60 Hz 2P 40A 30mA type AC	4547560	108419
TDURCCB for 50 and 60 Hz 2P 63A 30mA type AC	4547560	108426
TDURCCB for 50 and 60 Hz 2P 25A 300mA type AC	4547560	108433
TDURCCB for 50 and 60 Hz 2P 40A 300mA type AC	4547560	108440
TDURCCB for 50 and 60 Hz 2P 63A 300mA type AC	4547560	108457
TDURCCB for 50 and 60 Hz 2P 25A 100mA type AC	4547560	109027
TDURCCB for 50 and 60 Hz 2P 40A 100mA type AC	4547560	108464
TDURCCB for 50 and 60 Hz 2P 63A 100mA type AC	4547560	108471
TDURCCB for 50 and 60 Hz 2P 100A 100mA type AC	4547560	108488
TDURCCB for 50 and 60 Hz 2P 25A 30mA type A	4547560	108495
TDURCCB for 50 and 60 Hz 2P 40A 30mA type A	4547560	108501
TDURCCB for 50 and 60 Hz 2P 63A 30mA type A	4547560	108518
TDURCCB for 50 and 60 Hz 2P 25A 30mA type Ai	4547560	108365
TDURCCB for 50 and 60 Hz 2P 40A 30mA type Ai	4547560	108372
TDURCCB for 50 and 60 Hz 2P 63A 30mA type Ai	4547560	108389
TDURCCB for 50 and 60 Hz 2P 40A 300mA type S	4547560	108396
TDURCCB for 50 and 60 Hz 2P 63A 300mA type S	4547560	108402
Auxiliary Switch for TDURCCB 1NO + 1NC	4547560	108112





## TDURCCB & TDURCBO Din Modular Residual Current Protection

### 2 Order Codes for TDURCCB - 4 Pole

Rated residual current  
0.03 -0.3A

Rated current  
25-100A

Type  
A, AC, Ai, S



25~80A



100A

Description	Code	
TDURCCB for 50 and 60Hz 4P 25A 30mA type AC	4547560	108525
TDURCCB for 50 and 60Hz 4P 40A 30mA type AC	4547560	108532
TDURCCB for 50 and 60Hz 4P 63A 30mA type AC	4547560	108549
TDURCCB for 50 and 60Hz 4P 80A 30mA type AC	4547560	107931
TDURCCB for 50 and 60Hz 4P 100A 30mA type AC	4547560	107948
TDURCCB for 50 and 60Hz 4P 25A 100mA type AC	4547560	107955
TDURCCB for 50 and 60Hz 4P 40A 100mA type AC	4547560	107962
TDURCCB for 50 and 60Hz 4P 63A 100mA type AC	4547560	108020
TDURCCB for 50 and 60Hz 4P 100A 100mA type AC	4547560	108037
TDURCCB for 50 and 60Hz 4P 25A 300mA type AC	4547560	107979
TDURCCB for 50 and 60Hz 4P 40A 300mA type AC	4547560	107986
TDURCCB for 50 and 60Hz 4P 63A 300mA type AC	4547560	107993
TDURCCB for 50 and 60Hz 4P 80A 300mA type AC	4547560	108006
TDURCCB for 50 and 60Hz 4P 100A 300mA type AC	4547560	108013
TDURCCB for 50 and 60Hz 4P 25A 30mA type A	4547560	108044
TDURCCB for 50 and 60Hz 4P 40A 30mA type A	4547560	108068
TDURCCB for 50 and 60Hz 4P 63A 30mA type A	4547560	108075
TDURCCB for 50 and 60Hz 4P 100A 30mA type A	4547560	108099
TDURCCB for 50 and 60Hz 4P 25A 300mA type A	4547560	108051
TDURCCB for 50 and 60Hz 4P 40A 300mA Type A	4547560	108556
TDURCCB for 50 and 60Hz 4P 63A 300mA type A	4547560	108082
TDURCCB for 50 and 60Hz 4P 100A 300mA type A	4547560	108105
TDURCCB for 50 and 60Hz 4P 40A 300mA type S	4547560	108334
TDURCCB for 50 and 60Hz 4P 40A 30mA type Ai	4547560	108341
TDURCCB for 50 and 60Hz 4P 40A 300mA type Ai	4547560	108358
Auxiliary Switch for TDU RCCB 1NO + 1NC	4547560	108112





## TDURCCB & TDURCBO Din Modular Residual Current Protection

### 3 Order Codes for TDURCBO

TDURCBO is a residual current circuit breaker combining the features of a miniature circuit breaker and a residual current circuit breaker and is functionally independent on line voltage.

Rated short-circuit capacity  
10kA

Rated current  
6-40A

Tripping characteristic  
C

Rated residual current  
0.03 - 0.3A

Type  
AC, A



2 Module - 10kA RCBO

Description	Code	
TDURCBO for 50 and 60Hz 1P+N 10kA C-6A 30mA type AC	4547560	108129
TDURCBO for 50 and 60Hz 1P+N 10kA C-10A 30mA type AC	4547560	108136
TDURCBO for 50 and 60Hz 1P+N 10kA C-16A 30mA type AC	4547560	108143
TDURCBO for 50 and 60Hz 1P+N 10kA C-20A 30mA type AC	4547560	108150
TDURCBO for 50 and 60Hz 1P+N 10kA C-25A 30mA type AC	4547560	108167
TDURCBO for 50 and 60Hz 1P+N 10kA C-32A 30mA type AC	4547560	108174
TDURCBO for 50 and 60Hz 1P+N 10kA C-40A 30mA type AC	4547560	108181
TDURCBO for 50 and 60Hz 1P+N 10kA C-6A 300mA type AC	4547560	108198
TDURCBO for 50 and 60Hz 1P+N 10kA C-10A 300mA type AC	4547560	108204
TDURCBO for 50 and 60Hz 1P+N 10kA C-16A 300mA type AC	4547560	108211
TDURCBO for 50 and 60Hz 1P+N 10kA C-20A 300mA type AC	4547560	108228
TDURCBO for 50 and 60Hz 1P+N 10kA C-25A 300mA type AC	4547560	108235
TDURCBO for 50 and 60Hz 1P+N 10kA C-32A 300mA type AC	4547560	108242
TDURCBO for 50 and 60Hz 1P+N 10kA C-40A 300mA type AC	4547560	108259
TDURCBO for 50 and 60Hz 1P+N 10kA C-16A 30mA type A	4547560	108280
TDURCBO for 50 and 60Hz 1P+N 10kA C-20A 30mA type A	4547560	108297
TDURCBO for 50 and 60Hz 1P+N 10kA C-25A 30mA type A	4547560	108303
TDURCBO for 50 and 60Hz 1P+N 10kA C-32A 30mA type A	4547560	108310
TDURCBO for 50 and 60Hz 1P+N 10kA C-40A 30mA type A	4547560	108327



## Technical Data - TDURCCB 2 Pole

Type	Instantenous	Ai type	S type
<b>Electrical</b>			
Rated voltage $U_n$	240V AC	240V AC	240V AC
Rated current $I_n$	25, 40, 63, 100A	25, 40, 63A	40, 63A
Rated frequency $f_n$	50/60Hz	50/60Hz	50/60Hz
Rated Insulation voltage $U_i$	440V	440V	440V
Peak withstand current	-	3kA (8/20ms) surge current proof	5kA (8/20ms) surge current proof
Electrical isolation	> 4mm contact space	> 4mm contact space	> 4mm contact space
Rated residual operating current $I_{\Delta n}$	0.03; 0.1 & 0.3A	0.03 & 0.3A	0.3A
Rated conditional short-circuit current $I_{cn}$	10kA	10kA	10kA
Rated making and breaking capacity $I_m$	800A	800A	630A
Maximum back-up fuse	100A gG	100A gG	100A gG
Isolation class	B	B	B
Standard	IEC/EN 61008	IEC/EN 61008, OVE E 8601	IEC/EN 61008
Mechanical endurance (op. c.)	> 4000	> 4000	> 4000
Electrical endurance (op. c.)	> 2000	> 2000	> 2000
<b>Mechanical</b>			
Frame size	45mm	45mm	45mm
Device height	68mm (DIN rail acc to EN60715)	68mm (DIN rail acc to EN60715)	68mm (DIN rail acc to EN60715)
Device width	36mm (2 x Module units 18mm)	36mm (2 x Module units 18mm)	36mm (2 x Module units 18mm)
Degree of protection	IP20	IP20	IP20
Upper and lower terminals	open mounted/lift terminals	open mounted/lift terminals	open mounted/lift terminals
Terminal capacity	1-25mm <sup>2</sup> (100A 1-35mm <sup>2</sup> )	1-25mm <sup>2</sup>	1-25mm <sup>2</sup>
Terminal screw	M5 (Pozidrive PZ2)	M5 (Pozidrive PZ2)	M5 (Pozidrive PZ2)
Terminal torque	3Nm	3Nm	3Nm
Busbar thickness	0.8 - 2 mm	0.8 - 2 mm	0.8 - 2 mm
Operating temperature	-25°C ... +55°C	-25°C ... +55°C	-25°C ... +55°C
Storage and transport temperature	-40°C ... +70°C	-40°C ... +70°C	-40°C ... +70°C
Resistance to climatic conditions	IEC/EN 61008	IEC/EN 61008	IEC/EN 61008
Contact position indicator	mechanical red/green	mechanical red/green	mechanical red/green
Supply possibility	Top or bottom	Top or bottom	Top or bottom
Mounting position	any	any	any

$I_n$	TDURCCB Power Consumption
	P / p (W)
25A	1.29-1.43
40A	2.80 - 3.05
63A	4.28 - 5.34

Conductor cross-section [mm <sup>2</sup> ]	Number of single conductors, rigid, single-wire CU conductor				
	1	2	3	4	5
1.5	✓	✓	✓	✓	✗
2.5	✓	✓	✓	✗	✗
4	✓	✓	✓	✗	✗
6	✓	✓	✗	✗	✗
10	✓	✓	✗	✗	✗
16	✓	✗	✗	✗	✗
25	✓	✗	✗	✗	✗

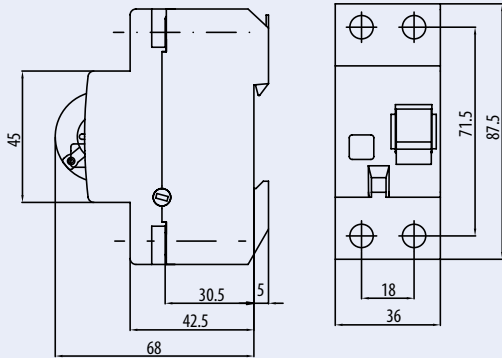
Note: When you use more than 2 cables you have to be careful how those cables are inserted, to ensure proper pressure on each cable

Conductor cross-section [mm <sup>2</sup> ]	Number of single conductors, flexible Cu conductors without cable ferrule					
	1	2	3	4	5	6
1.5	✓	✓	✓	✓	✓	✓
2.5	✓	✓	✓	✓	✓	✓
4	✓	✓	✓	✓	✓	✓
6	✓	✓	✓	✗	✗	✗
10	✓	✓	✗	✗	✗	✗
16	✓	✗	✗	✗	✗	✗
25	✓	✗	✗	✗	✗	✗

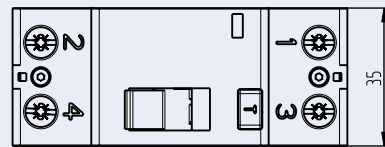
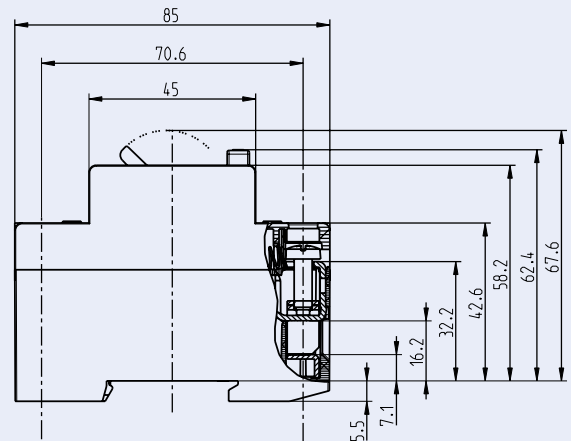
Combination of rigid single-wire and flexible multi-wire Cu conductors is not allowed



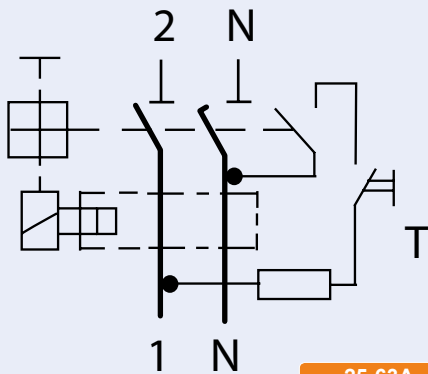
## Dimensions - TDURCCB 2 Pole



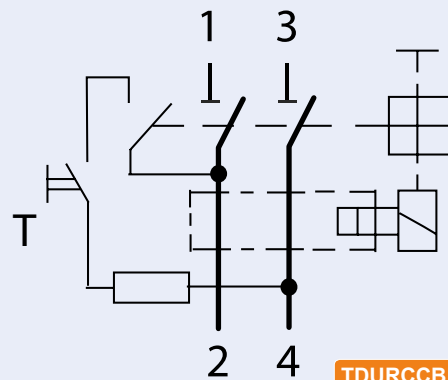
25-63A RCCB



100A RCCB



25-63A



TDURCCB 100A



## Technical Data - TDURCCB 4 Pole

Type	Instantaneous	Ai type	S type
<b>Electrical</b>			
Rated voltage $U_n$	415V AC	415V AC	415V AC
Rated current $I_n$	25, 40, 63, 80, 100A	40	40
Rated frequency $f_n$	50/60Hz	50/60Hz	50/60Hz
Rated Insulation voltage $U_i$	440V	440V	440V
Peak withstand current	-	3kA (8/20ms) surge current proof	5kA (8/20ms) surge current proof
Electrical isolation	> 4mm contact space	> 4mm contact space	> 4mm contact space
Rated residual operating current $I_{\Delta n}$	0.03; 0.1 & 0.3A	0.03; 0.1 & 0.3A	0.1 & 0.3A
Rated conditional short-circuit current $I_{cn}$	10kA	10kA	10kA
Rated making and breaking capacity $I_m$	800A	800A	630A
Maximum back-up fuse	100A gG	100A gG	100A gG
Isolation class	B	B	B
Standard	IEC/EN 61008	IEC/EN 61008, OVE E 8601	IEC/EN 61008
Mechanical endurance (op. c.)	> 4000	> 4000	> 4000
Electrical endurance (op. c.)	> 2000	> 2000	> 2000
<b>Mechanical</b>			
Frame size	45mm	45mm	45mm
Device height	68mm (DIN rail acc to EN60715)	68mm (DIN rail acc to EN60715)	68mm (DIN rail acc to EN60715)
Device width	72mm (4 x Module units 18mm)	72mm (4 x Module units 18mm)	72mm (4 x Module units 18mm)
Degree of protection	IP20	IP20	IP20
Upper and lower terminals	open mounted/lift terminals	open mounted/lift terminals	open mounted/lift terminals
Terminal capacity	1-25mm <sup>2</sup> (100A - 1-35mm <sup>2</sup> )	1-25mm <sup>2</sup>	1-25mm <sup>2</sup>
Terminal screw	M5 (Pozidrive PZ2)	M5 (Pozidrive PZ2)	M5 (Pozidrive PZ2)
Terminal torque	3Nm	3Nm	3Nm
Busbar thickness	0.8 - 2 mm	0.8 - 2 mm	0.8 - 2 mm
Operating temperature	-25°C ... +55°C	-25°C ... +55°C	-25°C ... +55°C
Storage and transport temperature	-40°C ... +70°C	-40°C ... +70°C	-40°C ... +70°C
Resistance to climatic conditions	IEC/EN 61008	IEC/EN 61008	IEC/EN 61008
Contact position indicator	mechanical red/green	mechanical red/green	mechanical red/green
Supply possibility	Top or bottom	Top or bottom	Top or bottom
Mounting position	any	any	any

$I_n$	TDURCCB Power Consumption
	P / p (W)
25A	1.40-1.61
40A	2.73 - 4.11
63A	4.76 - 5.69

Conductor cross-section [mm <sup>2</sup> ]	Number of single conductors, rigid, single-wire CU conductor				
	1	2	3	4	5
1.5	✓	✓	✓	✓	✗
2.5	✓	✓	✓	✗	✗
4	✓	✓	✓	✗	✗
6	✓	✓	✗	✗	✗
10	✓	✓	✗	✗	✗
16	✓	✗	✗	✗	✗
25	✓	✗	✗	✗	✗

Note: When you use more than 2 cables you have to be careful how those cables are inserted, due to ensure proper pressure on each cable

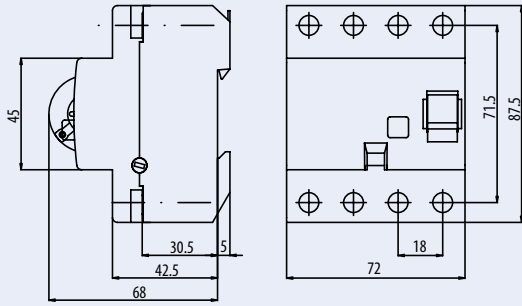
Conductor cross-section [mm <sup>2</sup> ]	Number of single conductors, flexible Cu conductors without cable ferrule					
	1	2	3	4	5	6
1.5	✓	✓	✓	✓	✓	✓
2.5	✓	✓	✓	✓	✓	✓
4	✓	✓	✓	✓	✓	✓
6	✓	✓	✓	✗	✗	✗
10	✓	✓	✗	✗	✗	✗
16	✓	✗	✗	✗	✗	✗
25	✓	✗	✗	✗	✗	✗

Combination of rigid single-wire and flexible multi-wire Cu conductors is not allowed

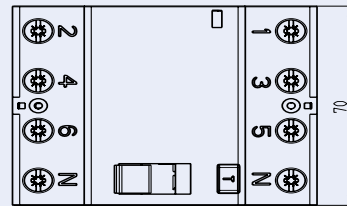
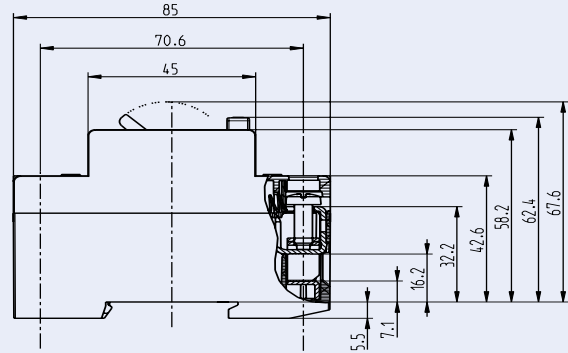


# TDURCCB & TDURCBO Din Modular Residual Current Protection

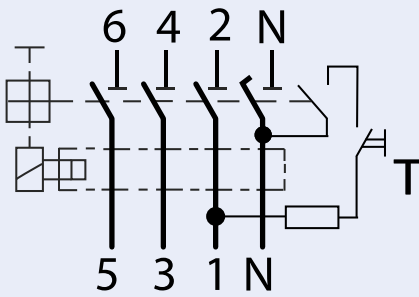
## i Dimensions - TDURCCB 4 Pole



25 -80A RCCB

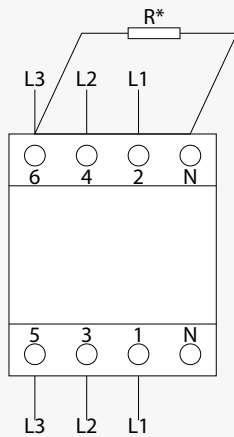


100A RCCB



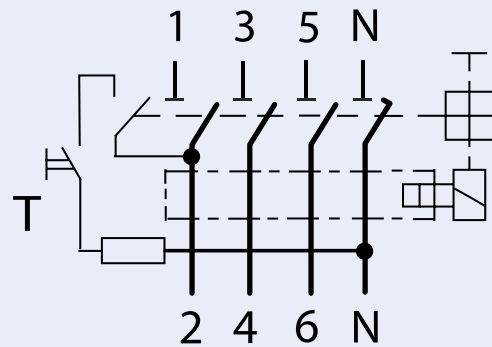
25-80A

### TDURCCB in 3-phase system without neutral conductor.



- 30mA: R=4k7/1W (500V)
- 100mA: R=1k/1W (500V)
- 300mA: R=1k6/1W (500V)
- 500mA: R=1k6/1W (500)

\* Resistor (R) has to be connected between N and L3 to ensure proper functionality of the test button.

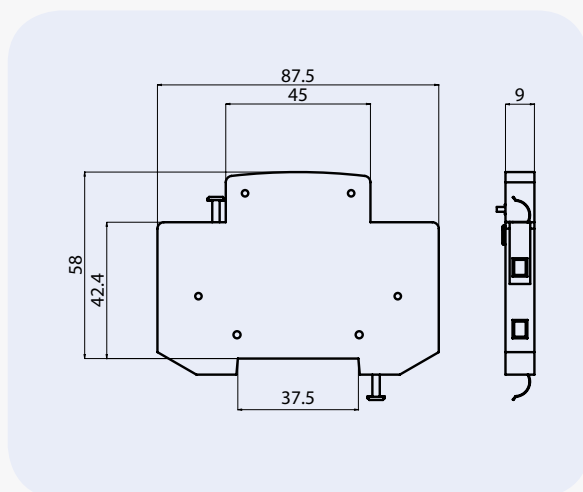


100A



## Auxiliary Switch - TDURCCB

Technical data	
Rated current $I_n$	6 A (230 V AC), AC 12,
Rated current $I_n$	1 A (110 V DC), DC 12
Conditional short-circuit current	1 kA with fuse-link 20 A
Mounting position	any
Standards	EN 62019





## Technical Data - TDURCBO

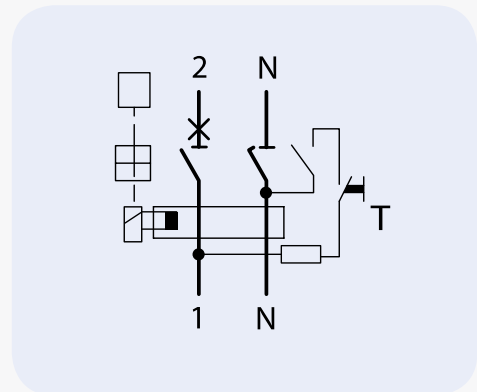
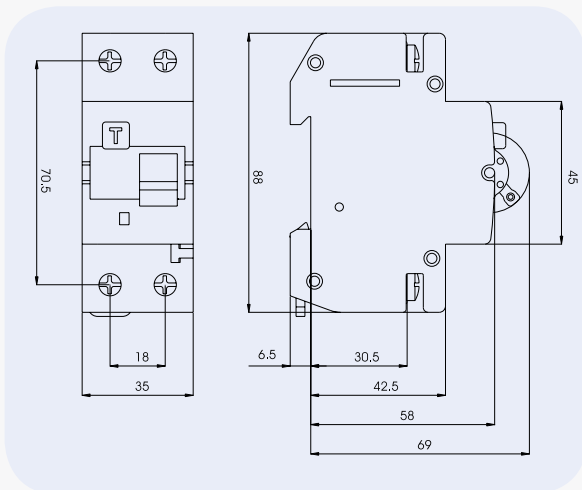
Technical data	
Rated voltage $U_n$	230 V AC
Rated current $I_n$	6-40 A
Rated frequency $f_n$	50/60Hz
Rated short-circuit capacity	10,000 A
Back-up fuse	100 A gG
Tripping characteristic	C
Type	A, AC
Rated residual current $I_{\Delta n}$	30, 300 mA
Rated residual making and breaking capacity $I_{\Delta m}$	10,000A
Terminals	1-25 mm <sup>2</sup> , max. 2-5Nm
Width	36 mm
Mounting position	any
Standard	IEC 61009, EN 61009

Conductor cross-section [mm <sup>2</sup> ]	Number of single conductors, flexible Cu conductors without cable ferrule					
	1	2	3	4	5	6
1.5	✓	✓	✓	✓	✓	✓
2.5	✓	✓	✓	✓	✓	✓
4	✓	✓	✓	✓	✓	✓
6	✓	✓	✓	✗	✗	✗
10	✓	✓	✗	✗	✗	✗
16	✓	✗	✗	✗	✗	✗
25	✓	✗	✗	✗	✗	✗

Combination of rigid single-wire and flexible multi-wire Cu conductors is not allowed

Conductor cross-section [mm <sup>2</sup> ]	Number of single conductors, rigid, single-wire CU conductor				
	1	2	3	4	5
1.5	✓	✓	✓	✓	✗
2.5	✓	✓	✓	✗	✗
4	✓	✓	✓	✗	✗
6	✓	✓	✗	✗	✗
10	✓	✓	✗	✗	✗
16	✓	✗	✗	✗	✗
25	✓	✗	✗	✗	✗

Note: When you use more than 2 cables you have to be careful how those cables are inserted, to ensure proper pressure on each cable







# TERASAKI

*Innovators in Protection Technology*

## **TERASAKI ELECTRIC (EUROPE) LTD.**

80 Beardmore Way, Clydebank Industrial Estate,  
Clydebank, Glasgow, G81 4HT, Scotland (UK)  
Telephone: 44-141-941-1940  
Fax: 44-141-952-9246  
Email: [marketing@terasaki.co.uk](mailto:marketing@terasaki.co.uk)  
<http://www.terasaki.com>

## **TERASAKI MIDDLE EAST**

Saif Zone Q3-168, PO Box 120860  
Sharjah, UAE  
Telephone: 971-56-676-4825  
Fax: 976-655-78141  
Email: [middleeast@terasaki.co.uk](mailto:middleeast@terasaki.co.uk)  
<http://www.terasaki.com>

## **TERASAKI ELECTRIC (EUROPE) LTD. (FILIALE ITALIA)**

Via Ambrosoli, 4A-20090, Rodano, Milano, Italy  
Telephone: 39-02-92278300  
Fax: 39-02-92278320  
Email: [info@terasaki.it](mailto:info@terasaki.it)  
<http://www.terasaki.it>

## **TERASAKI ELECTRIC (EUROPE) LTD. (SUCURSAL EN ESPAÑA)**

Pol. Ind. Coll de la Manyà, C/Cal Ros dels Ocells 5  
08403 Granollers, (Barcelona) España  
Telephone: 34-93-879-60-50  
Fax: 34-93-870-39-05  
Email: [terasaki@terasaki.es](mailto:terasaki@terasaki.es)  
<http://www.terasaki.es>

## **TERASAKI ELECTRIC (EUROPE) LTD. (FILIAL SVERIGE)**

Snickarvägen 2, SE-132 38 SALTSJÖ-BOO, Sweden  
Telephone: 46-8-556-282-30  
Fax: 46-8-556-282-39  
Email: [info@terasaki.se](mailto:info@terasaki.se)  
<http://www.terasaki.se>

## **TERASAKI CIRCUIT BREAKERS (S) PTD. LTD.**

17 Tuas Street, Singapore, 638454  
Telephone: 65-6744-9752  
Fax: 65-6748-7592  
Email: [tecs@pacific.net.sg](mailto:tecs@pacific.net.sg)

## **TERASAKI ELECTRIC CO., LTD.**

Head Office & Circuit Breaker Division  
6-13-47 Kamihigashi, Hirano-ku,  
Osaka 547-0002, Japan  
Telephone: 81-6-6791-2763  
Fax: 81-6-6791-2732  
Email: [int-sales@terasaki.co.jp](mailto:int-sales@terasaki.co.jp)  
<http://www.terasaki.co.jp>

## **TERASAKI ELECTRIC (M) SDN, BHD.**

Lot 3, Jalan 16/13D, 40000 Shah Alam,  
Selangor Darul Ehsan, Malaysia  
Telephone: 60-3-5549-3820  
Fax: 60-3-5549-3960  
Email: [terasaki@terasaki.com.my](mailto:terasaki@terasaki.com.my)

## **TERASAKI DO BRASIL LTDA.**

Rua Cordovil, 259-Parada De Lucas,  
21250-450, Rio De Janeiro-R.J., Brazil  
Telephone: 55-21-3301-9898  
Fax: 55-21-3301-9861  
Email: [terasaki@terasaki.com.br](mailto:terasaki@terasaki.com.br)  
<http://www.terasaki.com.br>

## **TERASAKI ELECTRIC (CHINA) LTD.**

72 Pacific Industrial Park, Xin Tang Zengcheng,  
Guangzhou 511340, China  
Telephone: 86-20-8270-8556  
Fax: 86-20-8270-8586  
Email: [terasaki@public.guangzhou.gd.cn](mailto:terasaki@public.guangzhou.gd.cn)

## **TERASAKI ELECTRIC GROUP SHANGHAI REPRESENTATIVE OFFICE**

Room No. 1405-6, Tomson Commercial Building,  
710 Dong Fang Road, Pudong, Shanghai,  
200122, China  
Telephone: 86-21-58201611  
Fax: 86-21-58201621  
Email: [terasaki@vip.163.com](mailto:terasaki@vip.163.com)



[www.terasaki.com](http://www.terasaki.com)

**CAT REF: 18-DINTDU**

©Copyright Terasaki Electric (Europe) Ltd 2018

Ratings and specifications are subject to change without notice.